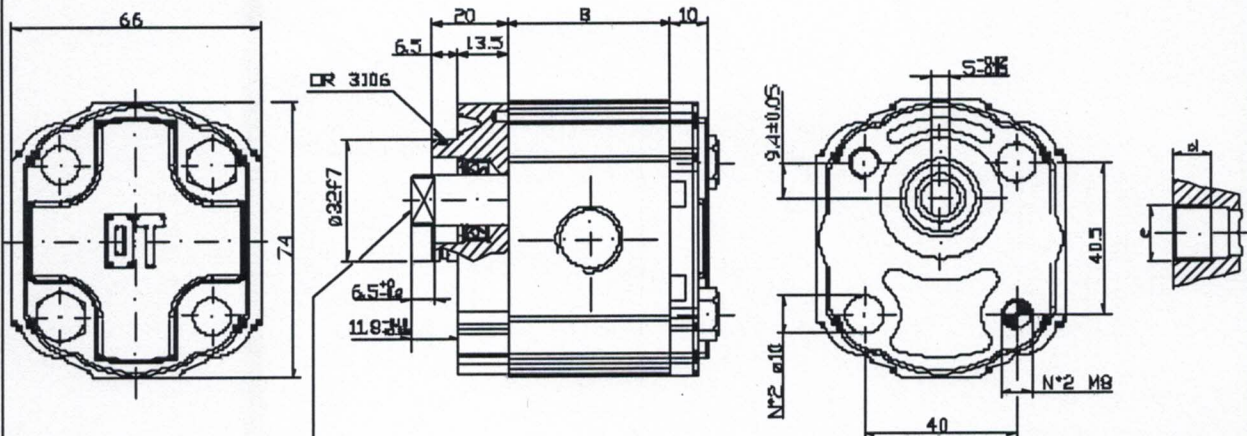


## GROUP 1 PUMPS FOR POWER UNITS

VERSION : G14 B0



Displacement	Port	Dimension	e	d
				mm
From 0,70 to 4,50	Outlet	3/8"	G 3/8"	14
	Inlet	3/8"	G 3/8"	14
From 5,55 to 7,60	Outlet	3/8"	G 3/8"	14
	Inlet	1/2"	G 1/2"	14

Type	Displacement (cc/rev)	Max working pressure P1 (bar)	Peak pressure P3 (bar)	Max speed (rpm)	Dimension B (mm)	Absorbed torque at 150 bar (Nm)	Code ( Anti-clockwise )	Code ( Clockwise )
OT 100 P07	0.73	200	240	5000	36.7	1.8	PS1017001S	PS1017001D
OT 100 P11	1.05	240	280	5000	37.8	2.4	PS1017002S	PS1017002D
OT 100 P16	1.45	260	300	5000	39.5	4.2	PS1017003S	PS1017003D
OT 100 P20	1.80	240	300	5000	40.9	5.2	PS1017004S	PS1017004D
OT 100 P26	2.50	240	280	5000	43.0	6.7	PS1017005S	PS1017005D
OT 100 P32	3.05	240	280	5000	45.0	8.3	PS1017006S	PS1017006D
OT 100 P40	3.80	220	260	4500	47.8	10.1	PS1017007S	PS1017007D
OT 100 P49	4.70	200	240	4500	50.9	12.7	PS1017008S	PS1017008D
OT 100 P58	5.55	180	220	4000	54.0	15.0	PS1017009S	PS1017009D
OT 100 P65	6.25	160	200	3750	56.5	16.8	PS1017010S	PS1017010D
OT 100 P79	7.60	140	180	3500	61.2	20.5	PS1017012S	PS1017012D

### EXAMPLE OF ORDERING CODE

OT100 P 20 S / G 14 B0

Series

Pump

displacement ( see above table )

Rotation

S Anti-clckwise

D Clockwise

Neutral flange

Tang shaft

Body with threaded ports ( BSP )

□ Screws tightning torque : 28 ± 30 Nm