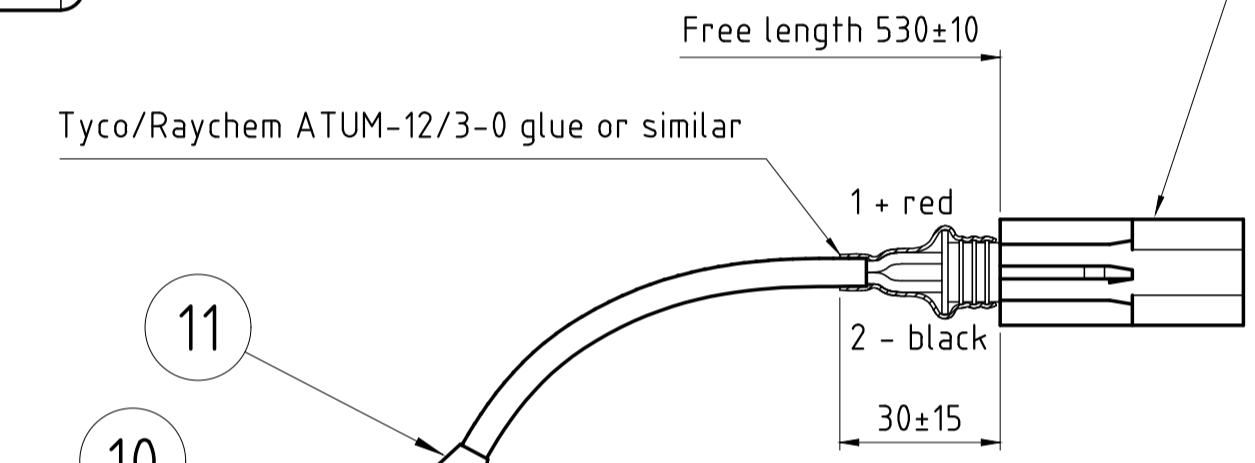


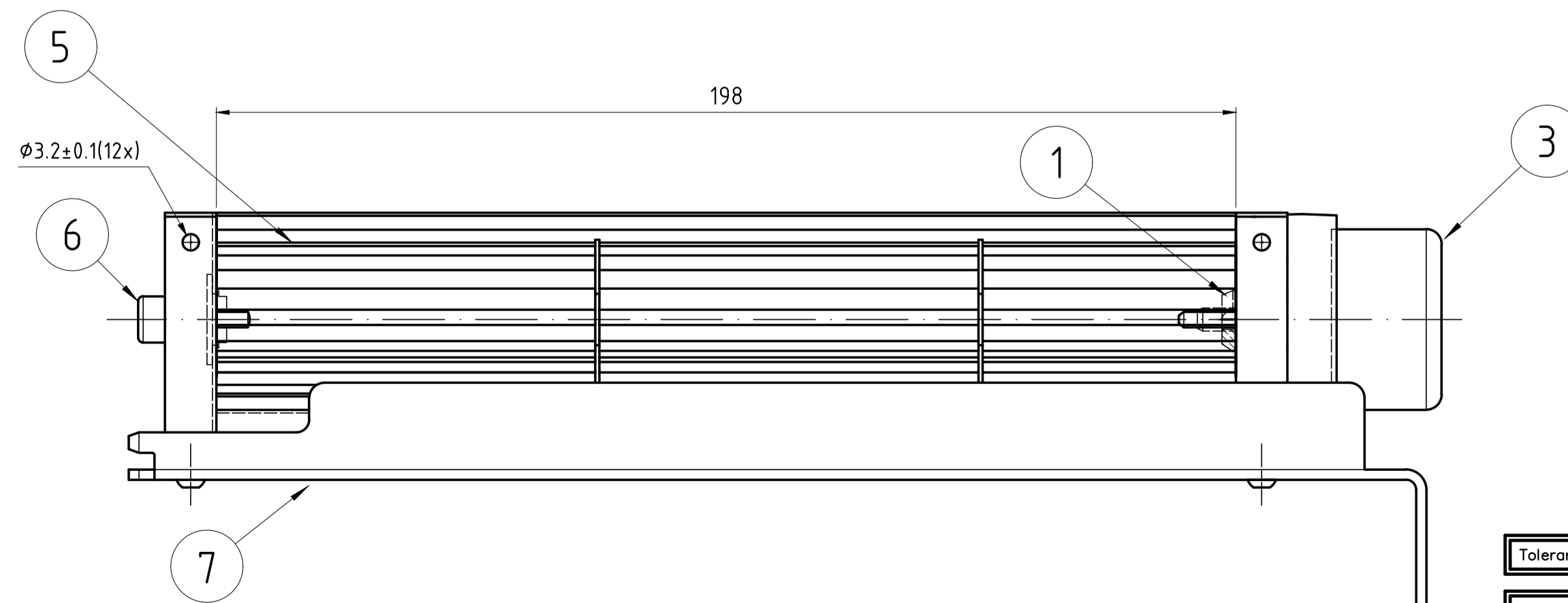
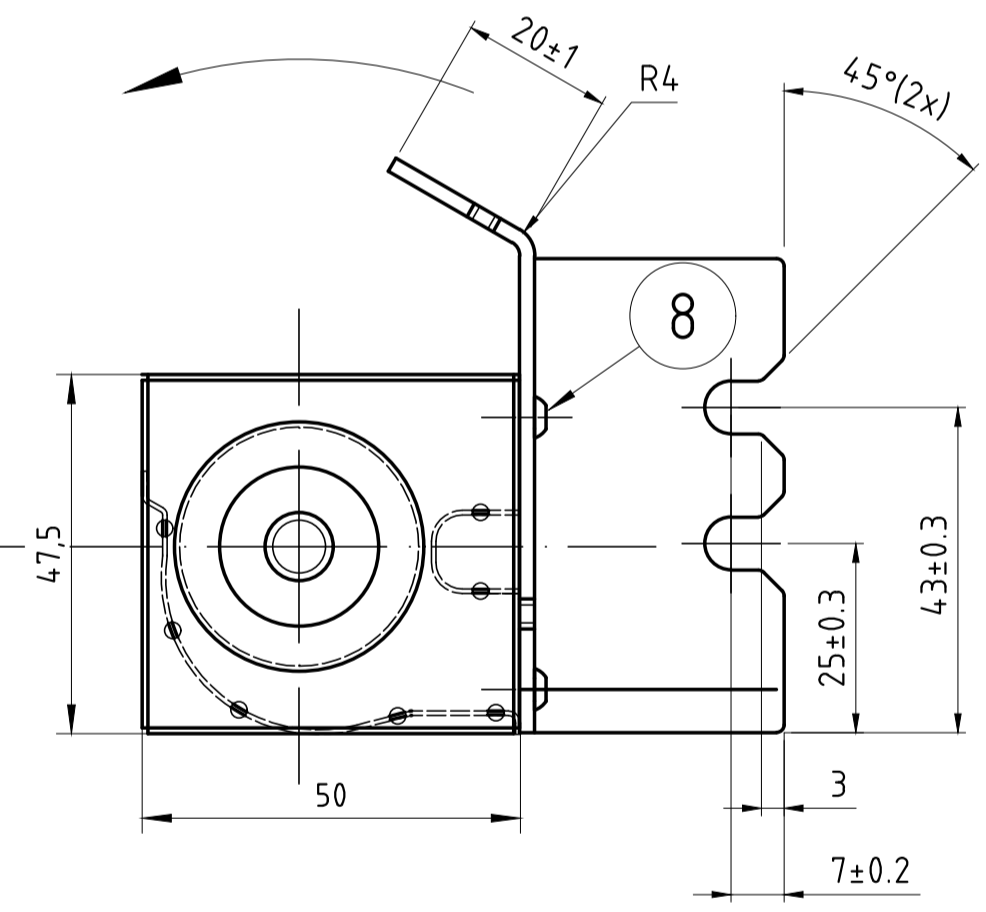
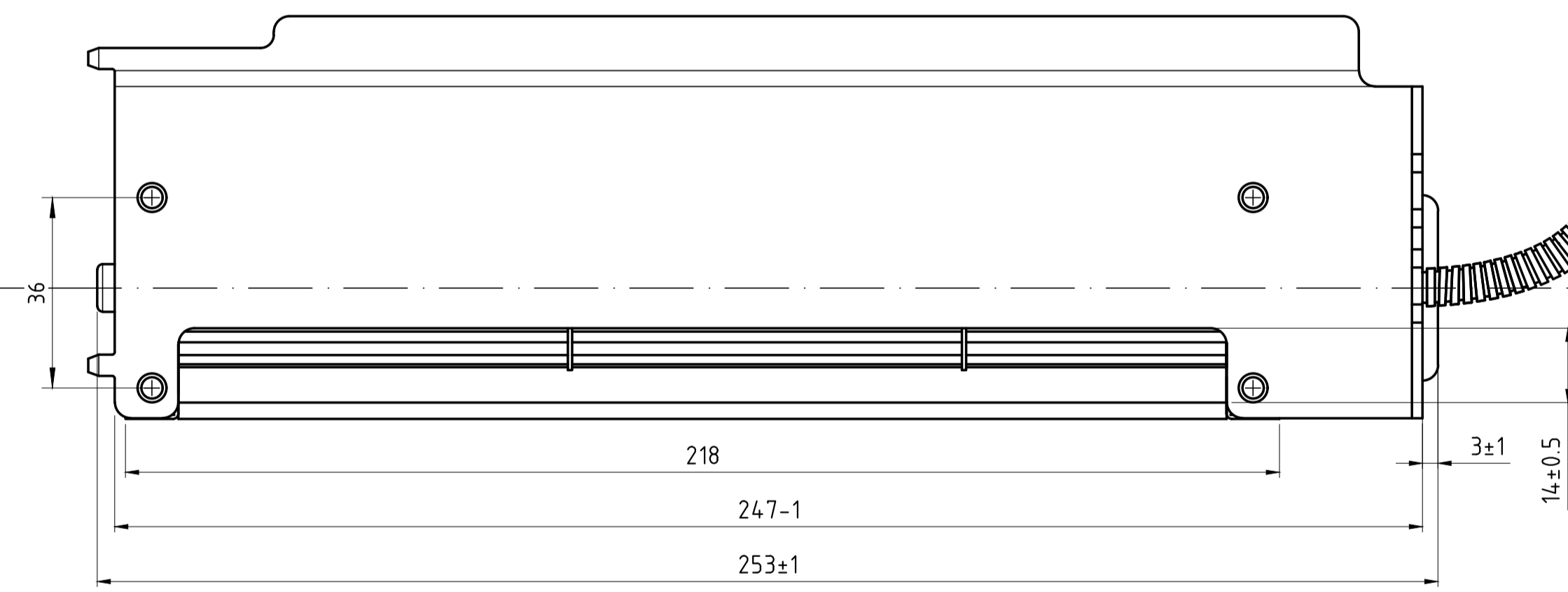
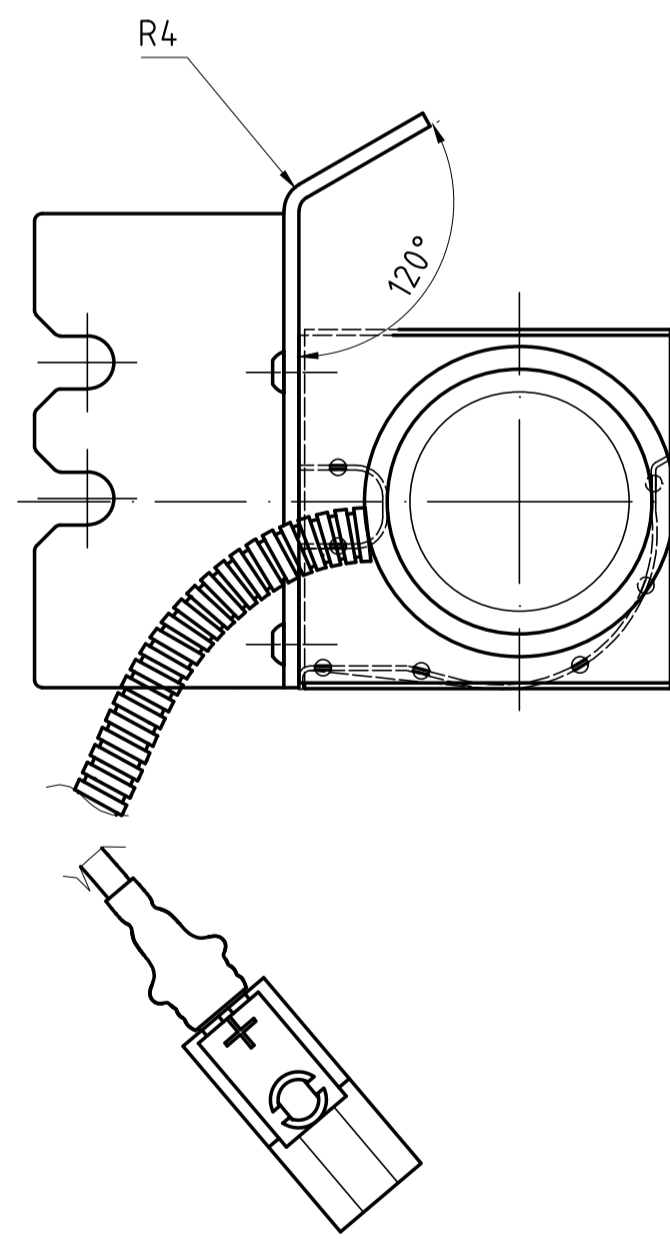
Housing AMP 1-967570-3
 Terminal 0-963728-1 (2x)
 Sealing 0-967067-1 (2x)

With Start December 2014
 Tyco 7-967570-4

FERGAS
 Linköping Sweden
W51501
 17-05-15 453



Tyco/Raychem ATUM-12/3-0 glue or similar



Motor K3008 has a lacquered coating on the PCB

MT1875: 3970±10% RPM at 48V DC

Tolerances in accordance with ISO 2768-m
 Confidential: Property of Fergas AB, Linköping, Sweden. Not to be handed over to, copied or used by third party. Two or three dimensional reproduction of contents, to be authorized by Fergas AB.

Item no.	Qty.	Description	Material	Dimension	Notes
11	1	TAPE		K1598	
10	1	CORRUGATED CONDUIT / NC06-S	PA6	K1597	l=80-φ7,1-φ4,5
9	1	BRACKET		K5032	
8	4	RIVET	ALU	K1622	3,2-0,7
7	1	FAN BRACKET	SS1142-32	K1567	f=2,0
6	1	ENDBEARING CPL	NBR	55091	BRONZBEARING
5	1	WHEEL NC30x200 L	ALU	55445	
4	1	HOUSING NC30x200 L	DX54D/HX300LAD	55382	φ3.2 (12x)
3	1	MOTOR BISONIC DC1	QMB-48V-GO	K3008	48 V BALLBEARING
2	1	LABEL FERGAS	PAPER	K9000	PROD.W-OP
1	1	GROMMET D4	SBR	K1520	60 ±5 SHORE

FERGAS
 Linköping Sweden
 Title: BLOWER NC30
 NCB 30x200 L DC 48V K3008
 Scale: 1:1
 Replaces: -
 Replaced by: -
 Revision date: 17-05-15
 Date: 17-05-15
 Dwg. no.: W51501 A

Pos.	Qty.	Notes	Date	Ch. by	Appr.