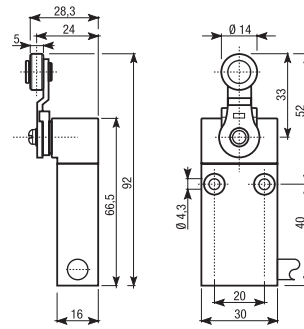


Thermoplastic roller lever

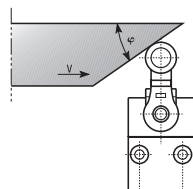
Contact element	
1NO+1NC snap action 	<b>0</b>
1NO+1NC slow action 	<b>1</b>
Weight	kg
Pack	pcs
Cable length	m

Plastic	Metal	Contact travel
<b>E7000EI</b>	<b>E7000EM</b>	
<b>E7001EI</b>	<b>E7001EM</b>	
0,342	0,381	
	1	
	2	

standard article



Drive cam operating parameters



$\varphi$	V max (m/s)
30°	1,5
45°	1
60°	0,75
60-90°	0,25

Min. force (cNm)	
for tripping	4
for positive opening	8