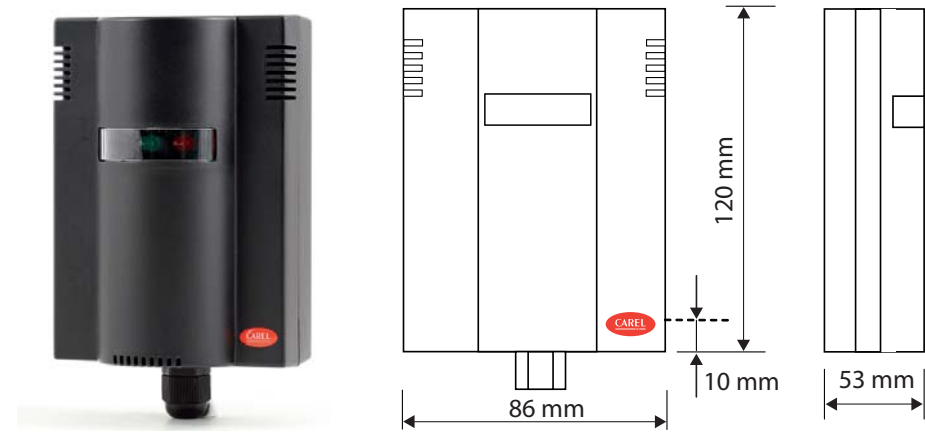
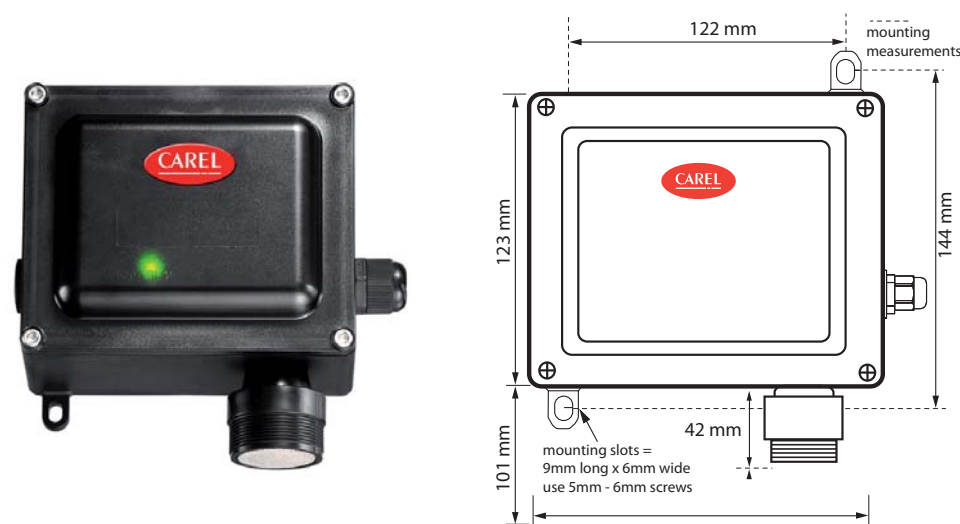


Semiconductor version

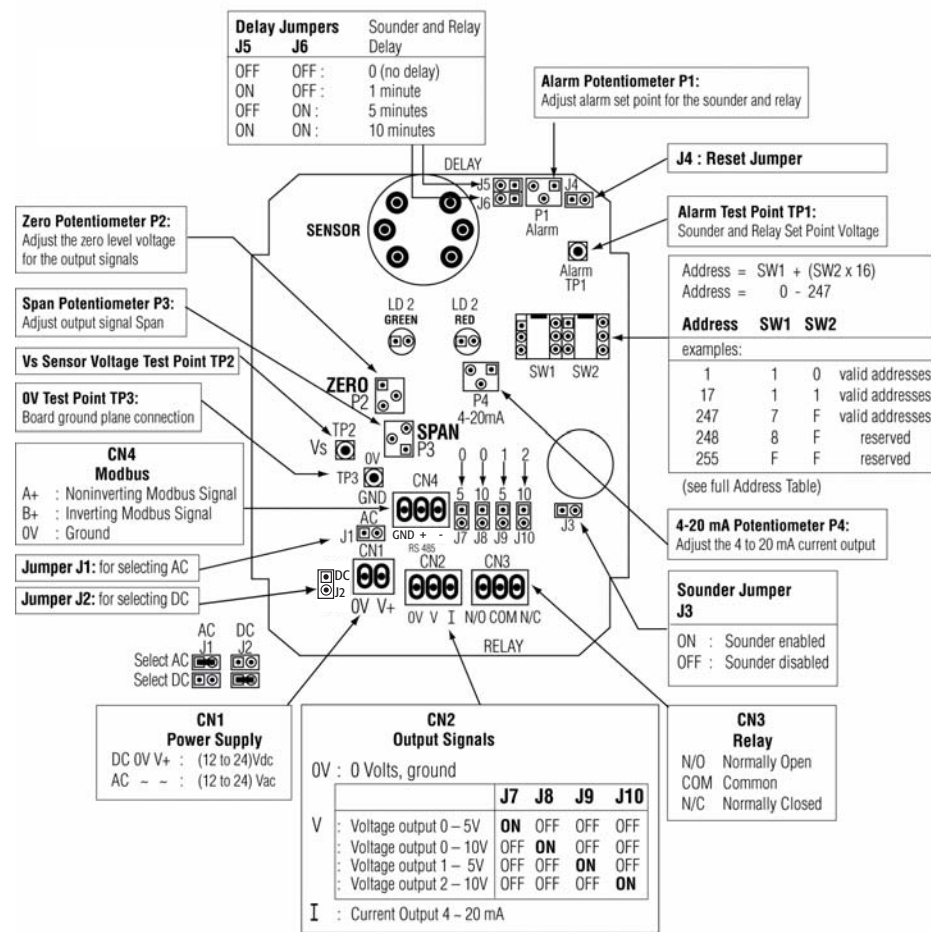


Infrared version

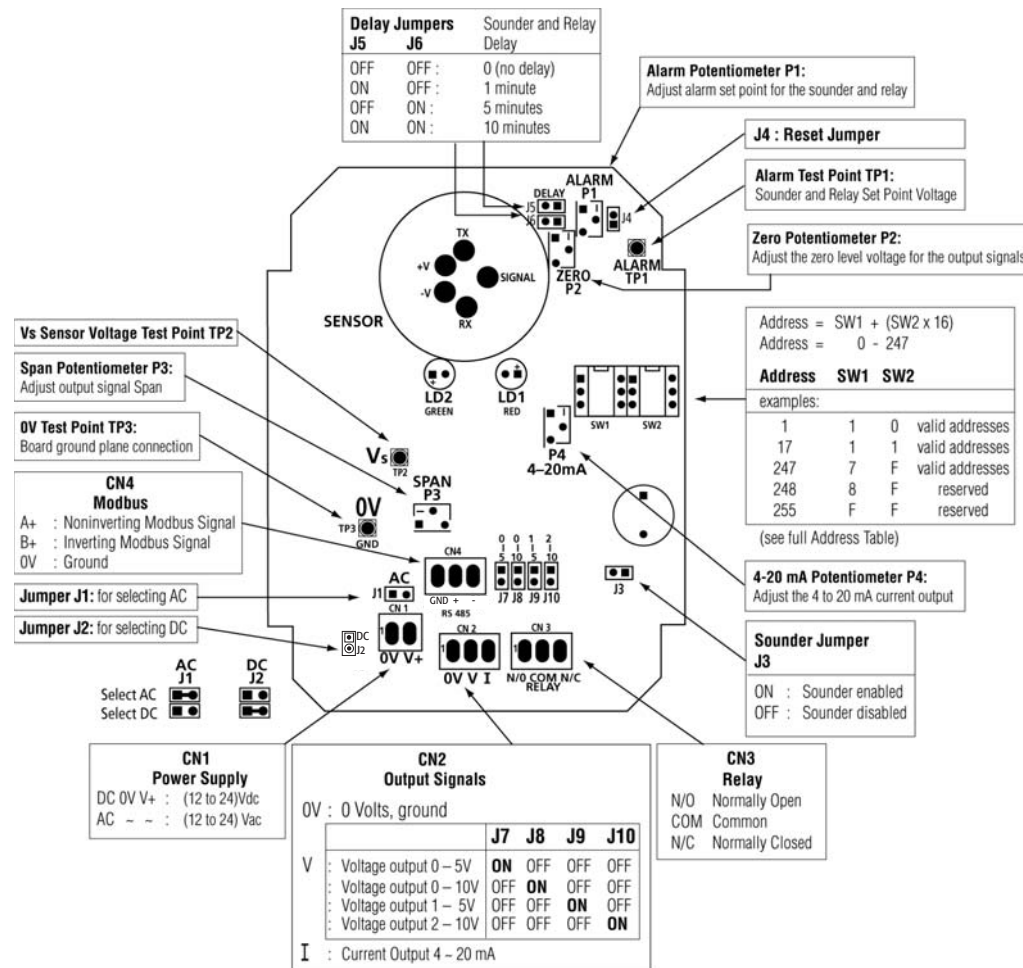


Collegamenti elettrici e configurazione / Electrical connections and configuration / Raccordements électriques et configuration / Elektrische Anschlüsse und Konfiguration / Conexiones eléctricas y configuración

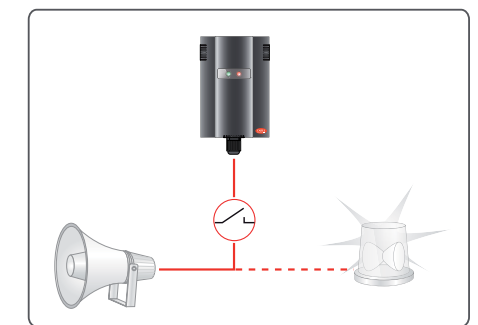
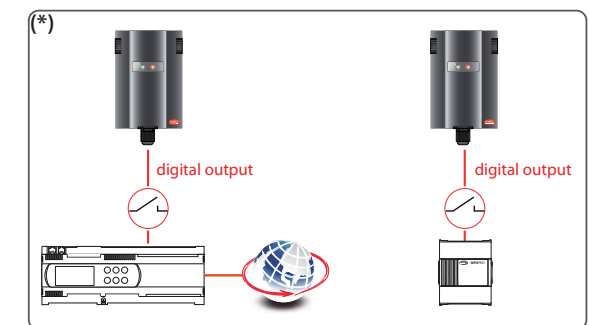
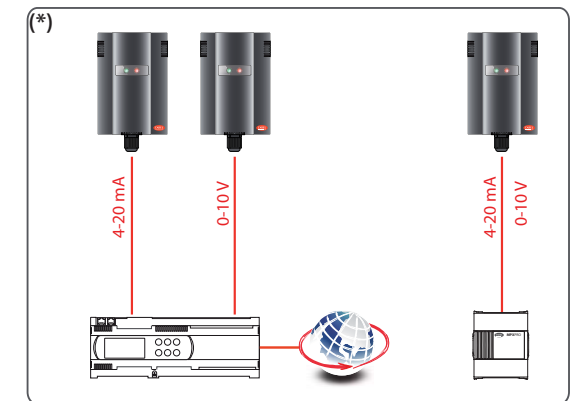
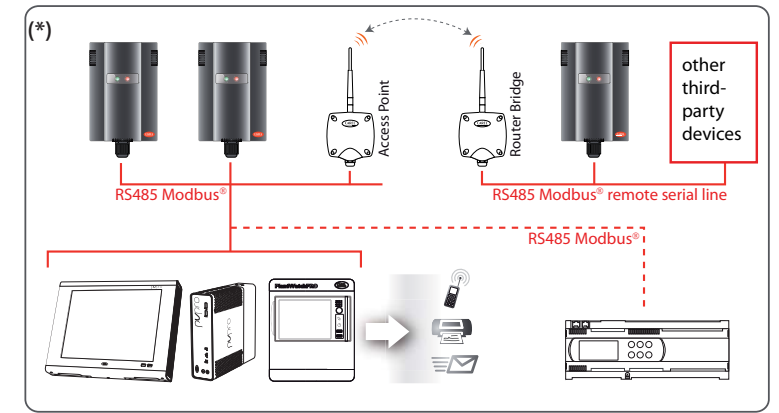
Semiconductor version



Infrared version



Esempi di collegamento / Connection examples / Exemples de raccordement / Anschlussbeispiele / Ejemplos de conexión



Nota: verificare compatibilità con l'applicativo del controllo.
Note: check compatibility with the application on the controller.
Note: vérifier la compatibilité avec l'application de contrôle.
NB: Die Kompatibilität mit dem Anwendungsprogramm der Steuerung überprüfen.
Nota: verificar la compatibilidad con la aplicación de controlador.

Disposal of the product
The appliance (or the product) must be disposed of separately in compliance with the local standards in force on waste disposal.

Important warnings:
The CAREL product is a state-of-the-art device, whose operation is specified in the technical documentation supplied with the product or can be downloaded, even prior to purchase, from the website www.carel.com. The customer (manufacturer, developer or installer of the final equipment) accepts all liability and risk relating to the configuration of the product in order to reach the expected results in relation to the specific final installation and/or equipment. The failure to complete such phase, which is required/indicated in the user manual, may cause the final product to malfunction; CAREL accepts no liability in such cases. The customer must use the product only in the manner described in the documentation relating to the product. The liability of CAREL in relation to its products is specified in the CAREL general contract conditions, available on the website www.carel.com and/or by specific agreements with customers.