

General Description

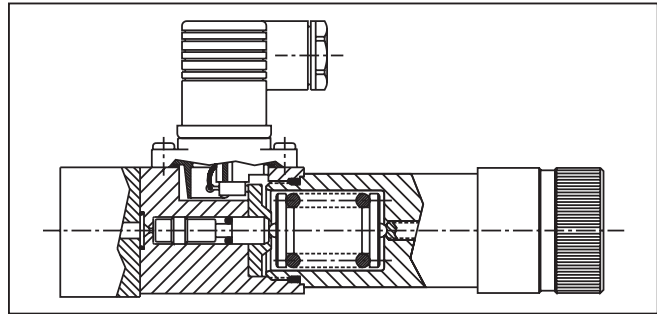
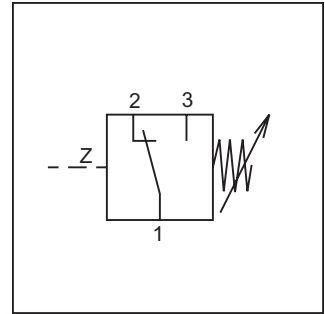
Series PSB electrohydraulic pressure switches are high performance devices that provide an electrical signal when sensed pressure rises above or falls below the selected setting. Maximum operating pressure is 315 Bar (4560 PSI) for all models.

Operation

Sensed pressure acts against a piston and spring plate assembly that is opposed by an adjustable spring force. When the pressure against the piston exceeds that of the adjustable spring, the plate moves and actuates a microswitch. The desired operating pressure is adjusted via a setscrew or hand knob. A tamper resistant keylock option is also available with the setscrew type adjuster. The electric element is a high quality micro switch with snap-action contact. Three terminals permit application as "on", "off" or "change-over" switch. The electric connection is made with a 3-pole plug-in connector to DIN 43650 with ground. The plug-in connector is also available with an indicator light.

Features

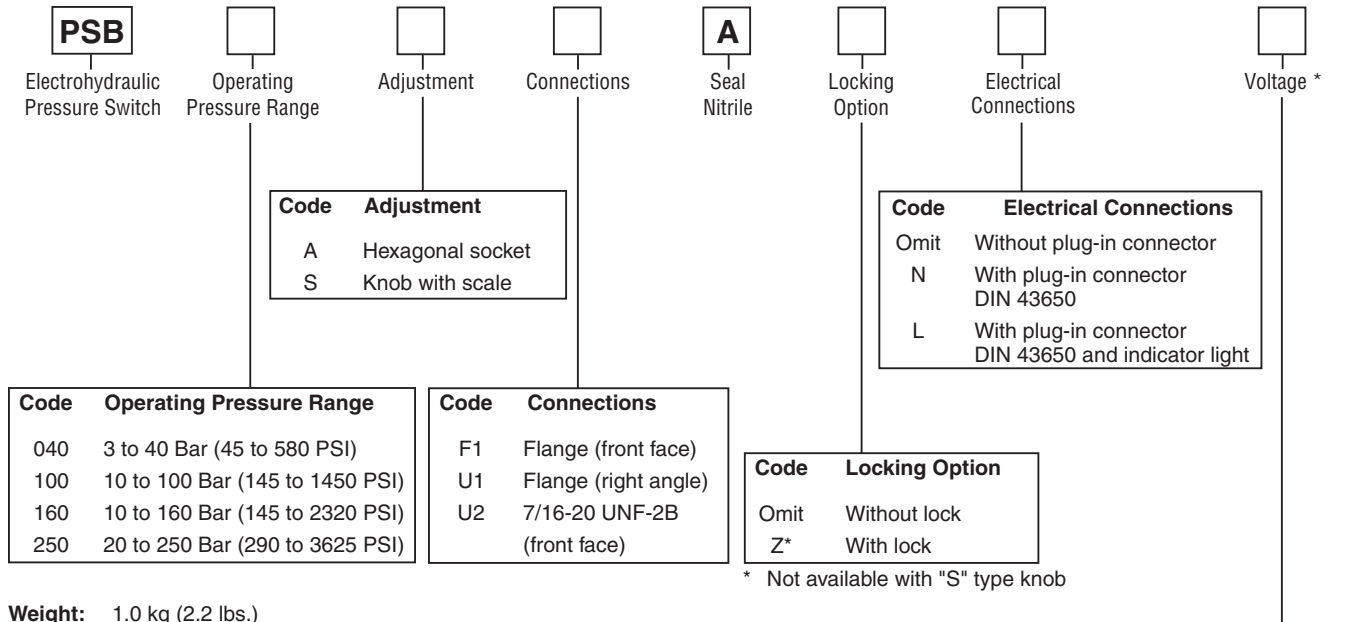
- **Four Separate Adjustable Pressure Range Options** — Enables operator to precisely select the desired pressure setting.
- **Hydraulically Dampened Piston** — Provides accurate response and extended service life.
- **Flange Type Mounting Style** — Provides great flexibility for mounting with manifolds, sandwich plates or direct line connections.
- **Optional Keylock Adjustment** — Prevents tampering or unauthorized adjustments in critical applications.
- **Robust Cast Iron Construction** — A rugged, yet compact, product designed to provide long service life in demanding applications.
- **IP 65 (Nema 4) Class Electrical Protection** — Maintains integrity against moisture in spray or splashdown situations.



Specifications

Type	Plunger type switch
Mounting	Flange mounting or fitted to a level face
Mounting Position	No restrictions
Operating Pressure	Maximum 315 Bar (4560 PSI)
Actuating Pressure Differential	See performance curves
Duty Cycle	Maximum 1/s
Operating Temp. Range (Ambient)	0 to 80° C (32 to 176° F)
Viscosity Range	12 to 400 cSt / mm ² /s (56 to 1854 SSU)
Filtration	Recommend ISO 4406 Code, 18/16/13 or better
Electrical Connection	Plug-in connector to DIN 43650
Insulation	IP 65 (Nema 4)
Contact Load Carrying Capacity	5 A at 250 VAC; 1 A at 50 VDC; .02 A at 250 VDC

Note: For inductive DC loads a diode should be used to increase service life.



Weight: 1.0 kg (2.2 lbs.)

Mounting Bolts
 (2 each required)

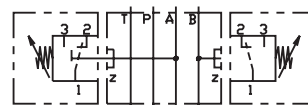
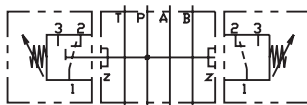
	F1	U1/U2
Inch	10 x 353 (10-24 x 2.50)	10 x 218 (10-24 x 2.00)
Metric	M5 x 60	M5 x 50

Code	Voltage
G024	Plug-in connector w/light, 24VDC
W115	Plug-in connector w/light, 115VAC
W230	Plug-in connector w/light, 230VAC

* Only for the Code "L" Models.

Sandwich Plate to NG6, NFPA D03 Pattern

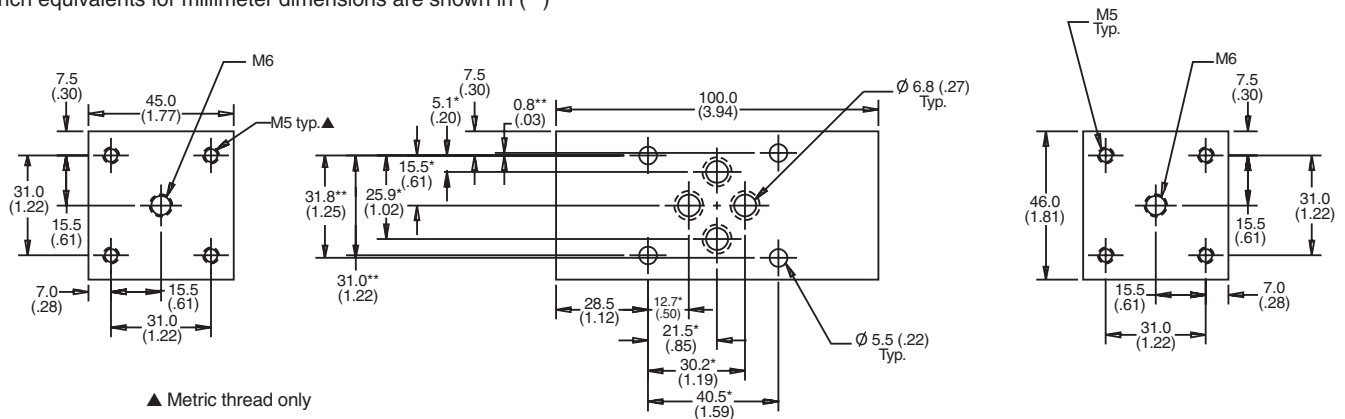
Allows PSB switches to be used in stacking assemblies with Sandwich style valves.



H06PSB-993 -- Pressure switch to P connection

H06PSB-994 -- Pressure switch to A or B or A and B connection

Inch equivalents for millimeter dimensions are shown in (**)



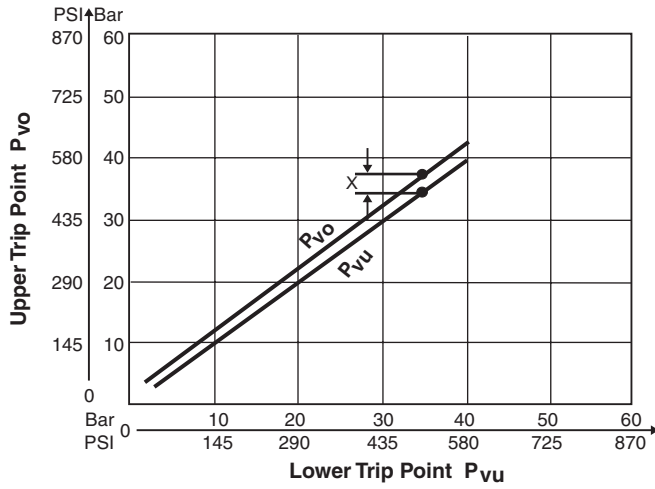
▲ Metric thread only

Note:
 * Tolerance on these dimensions +/- 0.2
 ** Tolerance on these dimensions +/- 0.1

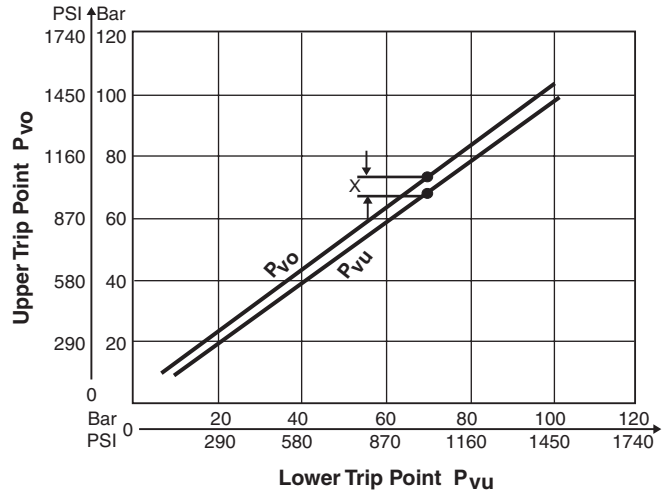


Performance Curves

PSB 040

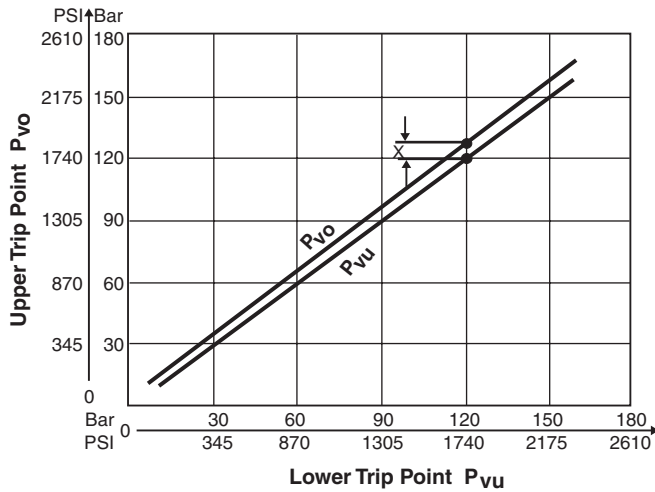


PSB 100

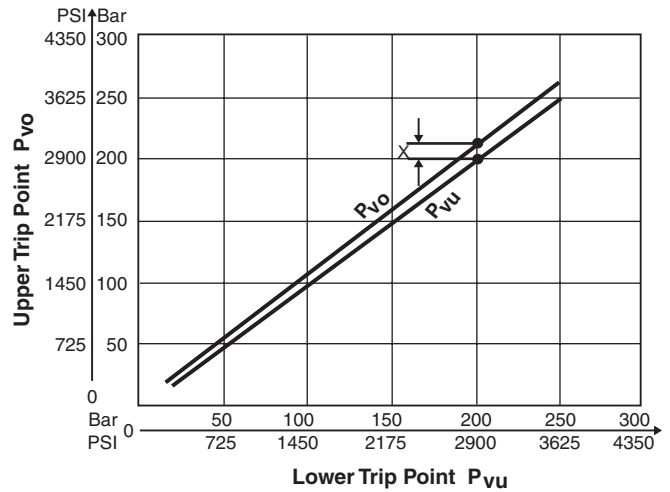


X = Switching Pressure Difference

PSB 160

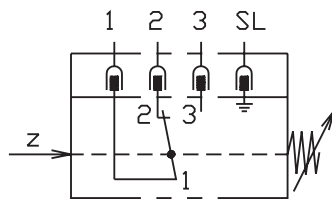


PSB 250

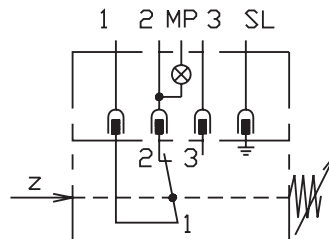


X = Switching Pressure Difference

Electrical Connections



Connection 'N'

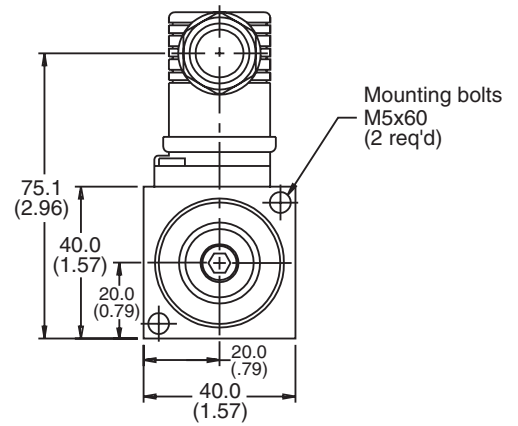
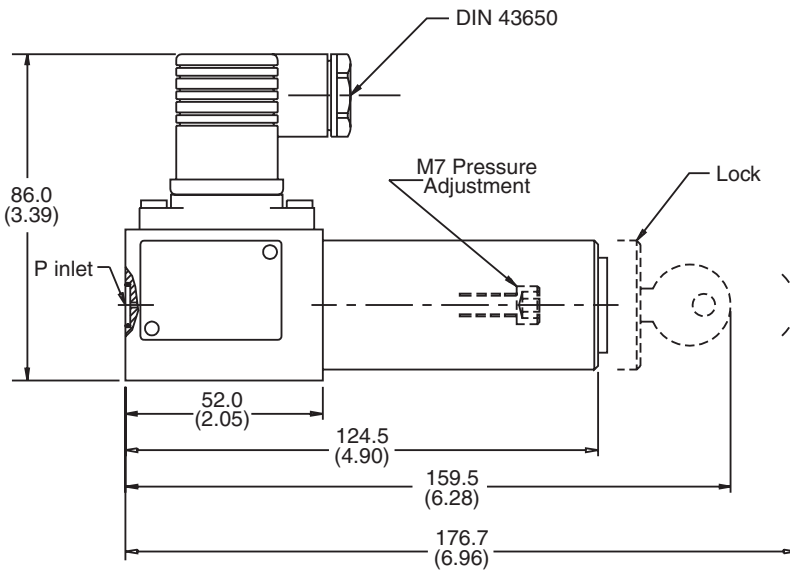
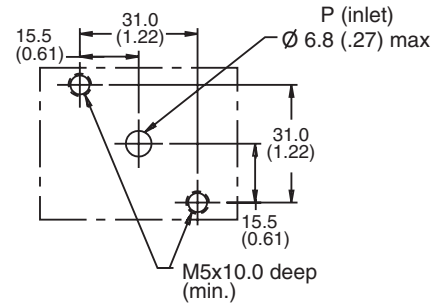
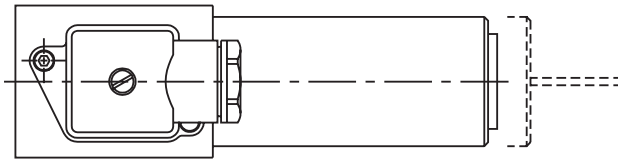


Connection 'L'

Inch equivalents for millimeter dimensions are shown in (**)

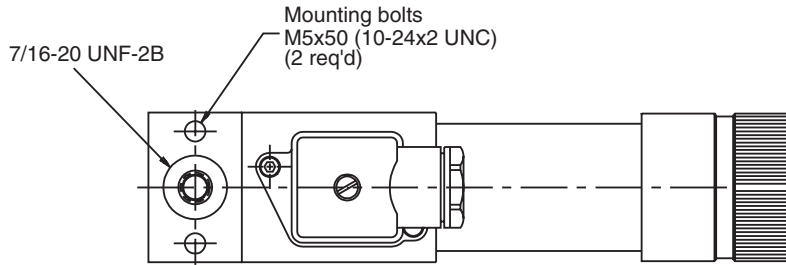
F1

Mounting Pattern

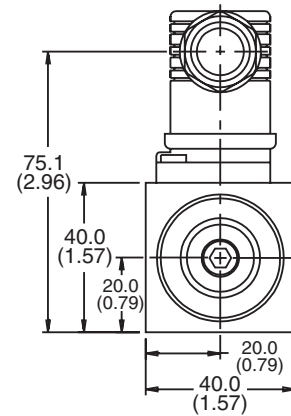
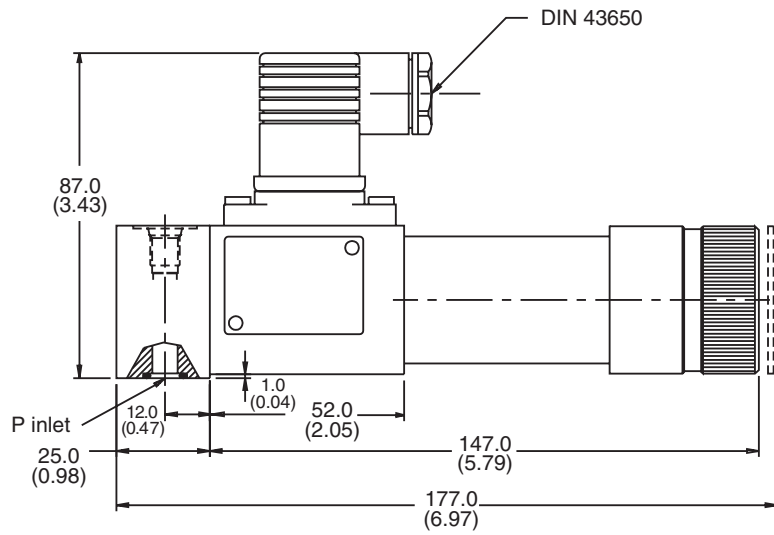
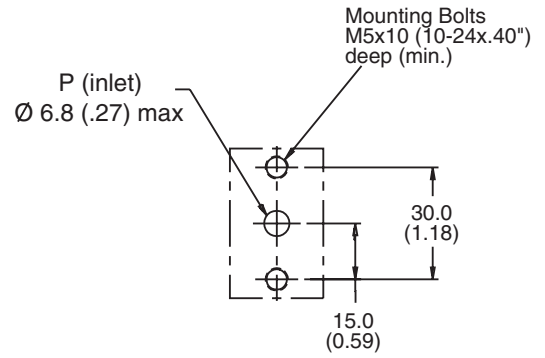


Inch equivalents for millimeter dimensions are shown in (**)

U1



Mounting Pattern



Inch equivalents for millimeter dimensions are shown in (**)

U2

