

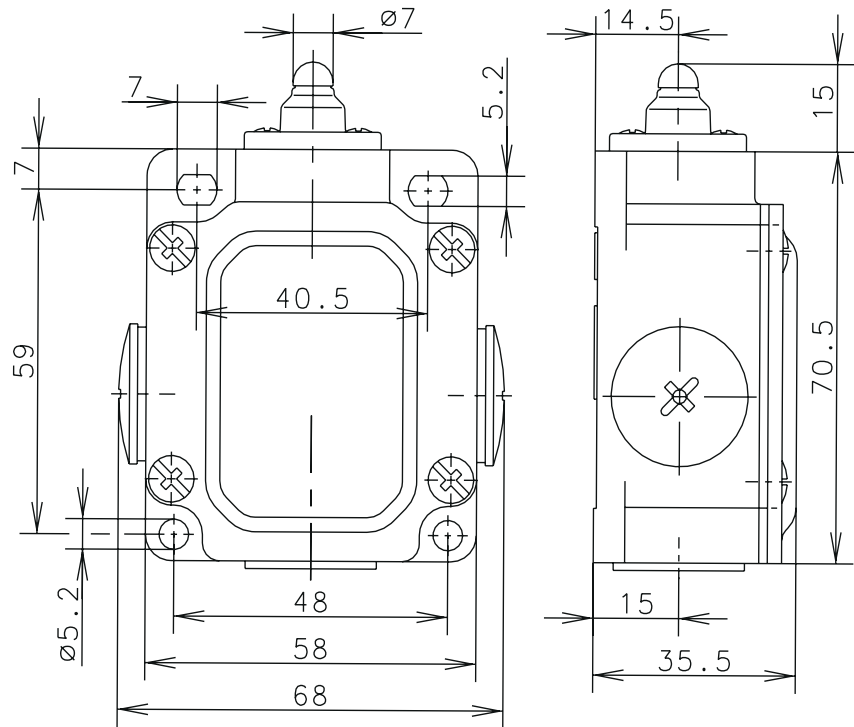
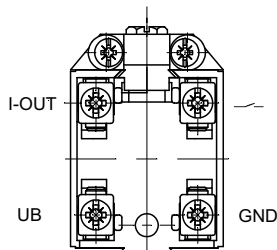
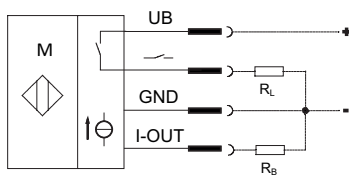
Metal bodied limit switch

Series SN2

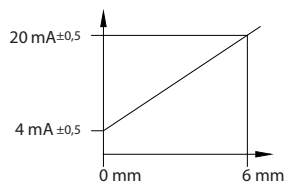
Description **SN2-AI4-20 W**

Article number **6133003036**

Wiring diagram



Characteristic



No torque increase allowed after end stop.

Electrical Data	
Rated operating voltage range	U_B 12 - 26 V DC
Idle current	I_o < 25 mA
Short-circuit protection type switching element	synchronising, permanently short-circuit and overload protected
Reverse polarity	yes
Readiness delay	t_v < 50 ms
Protection class	I
Analogue output	
Current output	4 – 20 mA
Linearity errors max.	± 2,5 % from the end value (20 mA), U_B and temperature at a constant level
Temperature errors max.	± 10 % U_B constant level
Repetition accuracy	R ≤ 2 % from the end value (20 mA), U_B and temperature at a constant level
max. load resistor	R_B 400 Ω
Switching output	
switching element function	S PNP NO (teachable)
Hysteresis	H ≈ 10 %
Voltage drop	U_d ≤ 1,6 V
Utilization category	DC 12
Rated operational currents	I_e 200 mA
Minimum operating current	I_m 1 mA
Residual current	I_r < 0,1 mA

Mechanical data	
Enclosure	Die-cast aluminium
Cover	Sheet aluminium
Actuator	Plunger (thermoplastic)
Ambient air temperature	-30 °C ... +80 °C
Mechanical life	10 x 10 ⁶ switching cycles
Switching frequency	≤ 100 / min.
Assembly	4 x M5
Connection	screw connections (M3,5)
Conductor cross-sections	Solid: 0,5 – 1,5 mm ² Litz wire with or without ferrules: 0,5 – 1,5 mm ²
Cable entrance	3 x M20 x 1,5
Weight	≈ 0,22 kg
Installation position	operator definable
Protection type	IP65 acc. to IEC/EN 60529

Actuation
The push bolt actuator is mainly intended to be actuated along it's axis. Side actuation will considerably reduce switch life.

Standards
EN 60947-5-7

EU Conformity ¹⁾
acc. to directive 2014/30/EU (EMC-Directive)

Notes

The degree of protection specified (IP code) applies only to a properly closed cover and the use of an equivalent cable gland with adequate cable.

¹⁾To be conform with the EMV guideline (2014/30/EU) a shielded connection cable has to be used.