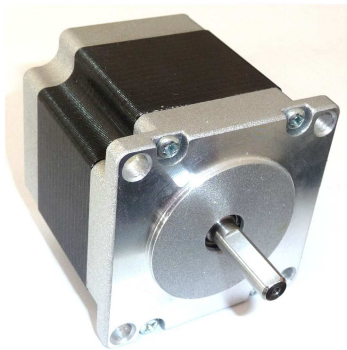
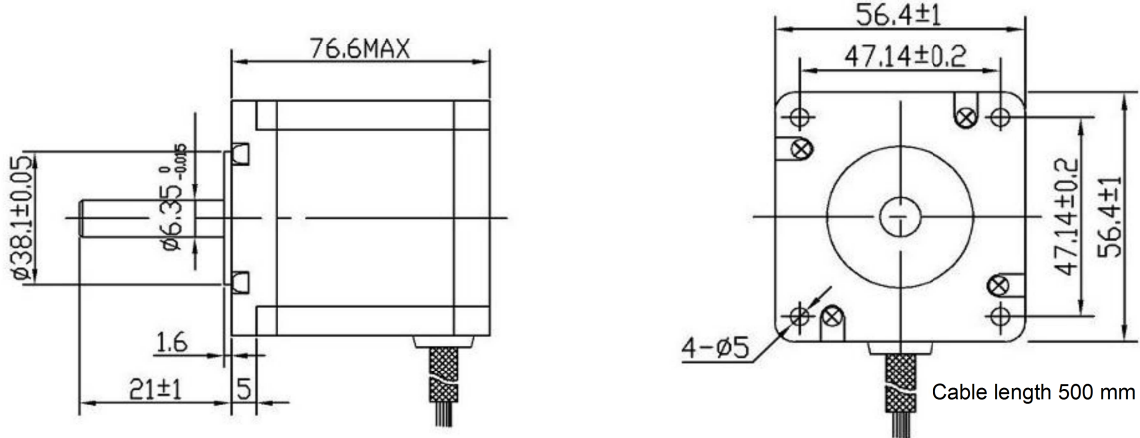
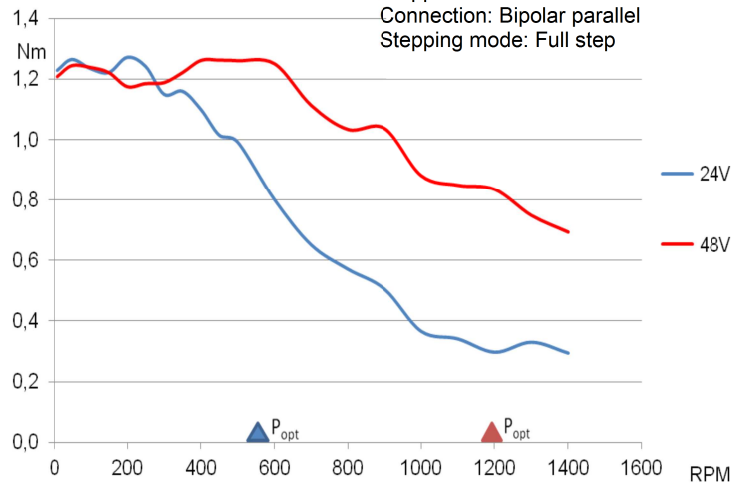


Hybrid Stepper Motor 57BYGH450E-05

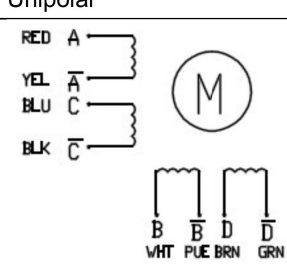
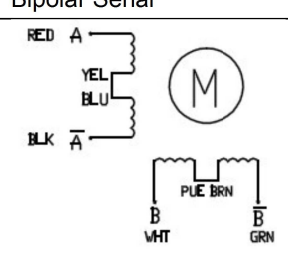
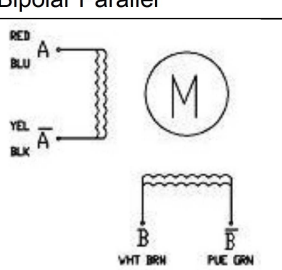
Mechanical Dimensions:



Test conditions:
 Stepper motor driver: Leadshine AM882
 Connection: Bipolar parallel
 Stepping mode: Full step



Electrical Specifications:

| | Unipolar | Bipolar Serial | Bipolar Parallel |
|-----------------------------------|---|--|---|
| |  |  |  |
| No. of phases | 4 | 2 | 2 |
| Step Angle | 1.8 \pm 0.09° | | |
| Rated Voltage (V) | 3.0 | 4.2 | 2.1 |
| Current (A) | 3.0 | 2.1 | 4.2 |
| Resistance (Ω) | 1.0 | 2 | 0.5 |
| Inductance (mH) | 1.5 | 6 | 1.5 |
| Holding Torque coils on DC (Nm) | 1.45 | 1.8 | 1.8 |
| Holding Torque step mode (Nm) | 1.0 | 1.3 | 1.3 |
| Rotor Inertia (gcm ²) | 480 | | |
| Insulation Class | B | | |
| Insulation Resistance | 100M Ω , 500VDC | | |
| Weight (kg) | 1.1 | | |

19.09.14