

MAF300LD / M series

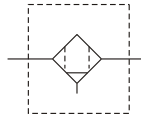
AIR UNITS (Mist / Micromist Filter)



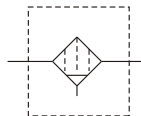
mindman



Symbol



D : 0.3 μ m



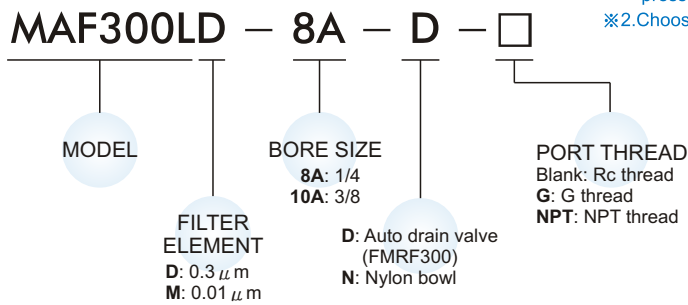
M : 0.01 μ m

- MA300LD is designed for removal of foreign matter as well as oil mist (Element : 0.3 μ m)
- MA300LM is designed for removal of foreign matter as well as oil mist (Element : 0.01 μ m)

Specification

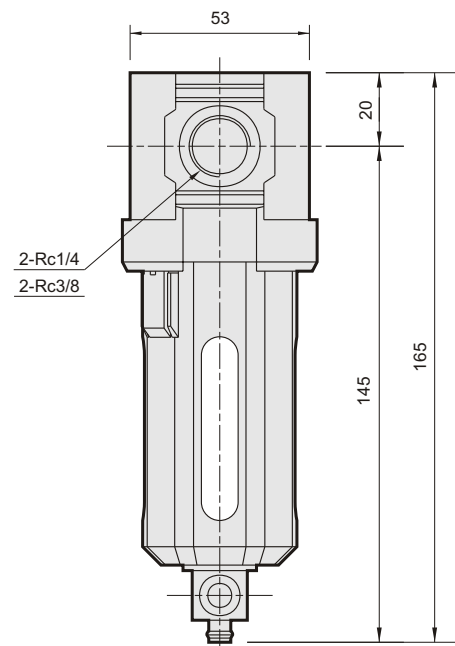
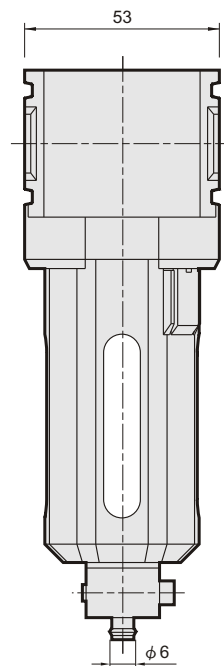
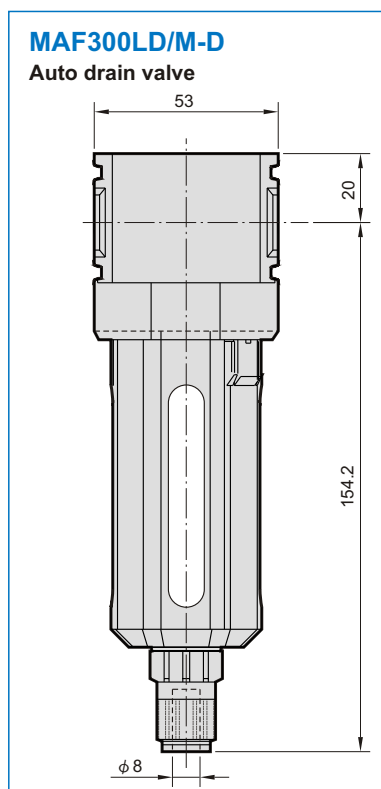
Model	MAF300LD/M	
Bore No.	8A	10A
Port size	1/4	3/8
Medium	Air	
Operating pressure range (※)	0.05~1 MPa	
Proof pressure	1.5 MPa	
Ambient temperature	-5°C~+60°C (No freezing)	
Filter element	0.3 μ m, 0.01 μ m	
Weight	300g	

Order example



※1. Standard unit contains semi-auto-drain function when operating pressure below 0.05 MPa.

※2. Choose auto-drain FMRF300, the pressure range is 0.15 ~ 1 MPa.



mindman